

Solid Duct and Lid



Slotted Duct and Lid



Solid Duct

## Ducting

### Description

Warren & Brown Technologies Optical Fibre Ducting System is designed to ensure network integrity and to satisfy the requirements for Optical Fibre stress relief: 30 mm bending radius, distribution flexibility and protection from damage due to external causes. The ducting is manufactured from a halogen free fire retardant plastic known as NORYL and is available in 4 sizes. Each size has many different components, such as: T-pieces, elbows, reducing adaptors etc. All individual components have lids available to ensure cable protection. The ducting is supported in position by steel brackets and threaded rods which bolt to the existing equipment room bracing.

### Features

- Halogen free ducting system
- Flexible tube and vertical ducting provide access to multiple fiber optic transmission system equipment within a rack.
- A range of components is available to allow the system to be easily installed in both old and new overhead and underground exchange situations.
- Available in six sizes: 30 x 30, 50 x 50, 100 x 50, 100 x 100, 220 x 100 and 300 x 100 mm (W x H)
- Standard length: 2000 mm
- 300 mm duct only available in slotless

### Ordering Information

Part no.	Width/mm	Height/mm
<b>Solid Duct and Lid</b>		
TC1279-83XA	30	30
TC1279-81XA	50	50
TC1279-223A	100	50
TC1279-23A	100	100
TC1279-21A	220	100
<b>Slotted Duct and Lid</b>		
TC1279-83SLXA	30	30
TC1279-81SLXA	50	50
TC1279-23SLXA	100	100
<b>Solid Duct and Snap on Lid</b>		
TC1279-23ASN	100	100
TC1279-21ASN	220	100
TC1279-275A	300	100

Ducting accessories, see next pages



Ordering Information	
Part no.	Width (mm)
<b>T-Assembly Vertical</b> TC1279-145A	50 mm



Ordering Information		
Part no.	Angle	Dimensions/mm
<b>Elbow Assembly</b>		
TC1279-135A	90° down	30 x 30 mm
TC1279-87A	90° down	50 x 50 mm
TC1279-111A	90° down	100 x 100 mm
TC1279-123A	90° down	220 x 100 mm
TC1279-296KIT	90° down	300 x 100 mm



100 mm



220 mm

Ordering Information		
Part no.	Angle	Dimensions/mm
<b>Elbow Assembly</b>		
TC1279-31A	90° horizontal	100 x 100 mm
TC1279-29A	90° horizontal	220 x 100 mm



Ordering Information	
Part no.	Width (mm)
<b>Drop-off Assembly</b> TC1279-63A	100 mm



Ordering Information	
Part no.	Angle / Dimensions/mm
<b>Enclosed Elbow Assembly</b>	
TC1279-39A	90° up & down, 100 x 100 mm
TC1279-37A	90° up & down, 220 x 100 mm



Ordering Information		
Part no.	Angle	Dimensions/mm
<b>Elbow Assembly</b>		
TC1279-137A	90° horizontal	30 x 30 mm
TC1279-77A	90° horizontal	50 x 50 mm
TC1279-269A	90° horizontal	100 x 50 mm



Ordering Information	
Part no.	Width (mm)
<b>Adaptor</b> TC1279-281A	220 - 300 mm



300 mm

Ordering Information	
Part no.	Dimensions/mm
<b>T-Assembly</b>	
TC1279-115A	30 x 30 mm
TC1279-75A	50 x 50 mm
TC1279-224A	100 x 50 mm
TC1279-03A	100 x 100 mm
TC1279-01A	220 x 100 mm
TC1279-279A	300 x 100 mm
<b>Universal Radius Limiter</b> TC1279-156	



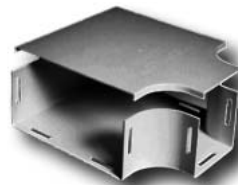
Ordering Information		
Part no.	Angle	Dimensions/mm
<b>Elbow Assembly</b>		
TC1279-247A	90° up	30 x 30 mm
TC1279-143A	90° up	50 x 50 mm
TC1279-246A	90° up	100 x 50 mm
TC1279-113A	90° up	100 x 100 mm
TC2179-125A	90° up	220 x 100 mm
TC1279-298KIT	90° up	300 x 100 mm



Ordering Information	
Part no.	Width (mm)
<b>Right-hand Adaptor</b> TC1279-05A TC1279-150KIT	220 - 100 mm 220 mm to 6" ADC



Ordering Information	
Part no.	Width (mm)
<b>Left-hand Adaptor</b> TC1279-07A TC1279-149KIT	220 - 100 mm 220 mm to 6" ADC



Ordering Information	
Part no.	Dimensions/mm
<b>T-Assembly</b> TC1279-09A	
220 - 100 mm	
<b>Breakout, Single Assembly</b> TC1279-312KIT	
300 - 100 mm	



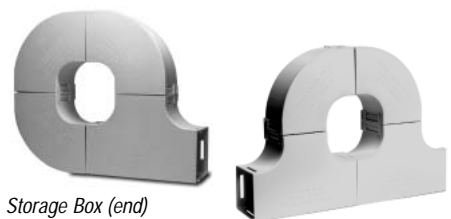
Ordering Information	
Part no.	Dimensions/mm
<b>Intra Suite entry Assembly</b> TC1279-277A	300 x 100 mm



Ordering Information	
Part no.	Width (mm)
<b>Intra Suite Entry Assembly</b>	
TC1279-63R	100 mm
TC1279-11R	100 and 220 mm



Ordering Information	
Part no.	Width (mm)
<b>Drop-off Assembly</b>	
TC1279-11A	100 and 220 mm



Storage Box (end)

Storage Box (in-line)

Ordering Information	
Part no.	Width (mm)
<b>Storage Box end</b>	
TC1279-178KIT	for 50 mm Duct
TC1279-192KIT	for 100 mm Duct
TC1279-191KIT	for 220 mm Duct
<b>Storage Box in-line</b>	
TC1279-209KIT	for 50 mm Duct
TC1279-208KIT	for 100 mm Duct
TC1279-207KIT	for 220 mm Duct
<b>Storage Box end / in-line with extra T-Shape</b>	
TC1279-34KIT	for 50 mm Duct
TC1279-33KIT	for 100 mm Duct
TC1279-35KIT	for 220 mm Duct



Ordering Information	
Part no.	Description
<b>Square Flexible Convolute Tube</b>	
TC1279-88	30 x 30 mm, length 350 mm fits on 30 mm elbow
TC1279-85	50 x 50 mm, length 350 mm, fits on 50 mm elbow
<b>Round Flexible Convolute Tube</b>	
TC1279-26	50 mm OD, length 1000 mm
TC1279-54	ø 20 mm ID, length 2000 mm
TC1279-53	ø 44 mm ID, length 2000 mm



Ordering Information	
Part no.	Description
<b>Square Flexible Convolute Spliceable Tube</b>	
TC1279-85KIT	50 x 50 mm, length 350 mm with Velcro ties. See also Chapter D - Fastening Devices



50 mm

Ordering Information	
Part no.	Description
<b>Convolute Tube Kit</b>	
TC1279-68KIT	50 mm OD Adaptor - 32 mm OD Tube, length 2000 mm



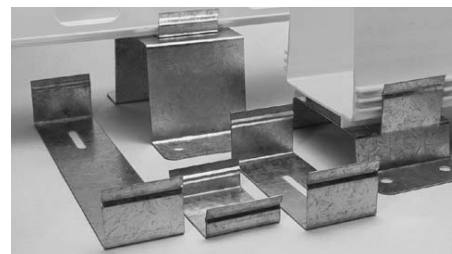
Ordering Information	
Part no.	Dimensions
<b>Flexible Tube</b>	
TC1279-26	50 mm OD, length 1000 mm
TC1279-53	50 mm OD, length 2000 mm
TC1279-54	25 mm OD, length 2000 mm
<b>Flexible Convolute Tube</b>	
TC1279-68	38 mm OD, length 2000 mm



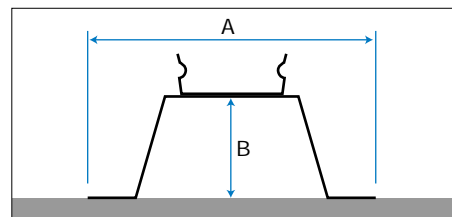
Outlet Trumpet

**Description**  
This radius guide (outlet trumpet) allows patch-cords to enter and leave the optical fiber duct system in an organised manner, while maintaining the 30 mm minimum fiber bending radius. It is fitted in the slot of the 50 mm duct system where it snaps into place to provide organised, low stress fiber access. Slotted duct **TC1279-81SLA**.

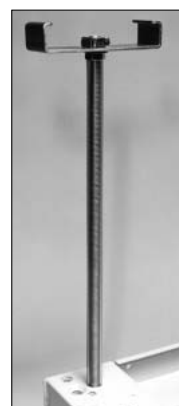
Ordering Information	
Part no.	Description
TC1279-212KIT	Duct radius guide 50 and 100 mm slotted duct



Ordering Information			
Part no.	Duct width	A	B
<b>Floor Clamps with Clips</b>			
VLRB1-50	for 50 mm	195 mm	80 mm
VLRB1-100	for 100 mm	175 mm	40 mm
<b>Clips (Separate)</b>			
CLIP2-50	for 50 mm		
CLIP1-100	for 100 mm		
CLIP1-220	for 220 mm		



Ordering Information	
Part no.	Description
<b>Computer Floor Pipe Connection</b>	
C-24EC	Clamp, 20-24 mm ø (two needed)
1149191	Clip Carrier
CLIP2-50	Clip for 50 mm duct
CLIP1-100	Clip for 100 mm duct



Ordering Information	
Part no.	Dimensions
<b>Mounting Bracket Assembly</b>	
TC1279-14A	100 mm
TC1279-13A	220 mm



Ordering Information	
Part no.	Description
<b>Dual Break-out Kit 50 mm down</b>	
<b>TC1279-93DKIT</b>	100, 220 and 300 mm ducting



Ordering Information	
Part no.	Description
<b>Break-out Kit 50 mm up</b>	
<b>TC1279 MH1 KIT</b>	100, 220 and 300 mm ducting



Ordering Information	
Part no.	Description
<b>Square (drop-off) Assembly</b>	
<b>TC1279-89A</b>	50 x 50 mm, 50 mm
<b>TC1279-89KIT</b>	50 x 50 mm kit, 100, 220 and 300 mm ducting
<b>Round (drop-off) Assembly</b>	
<b>TC1279-41A</b>	ø 44 mm, 50 mm
<b>TC1279-41KIT</b>	ø 44 mm, for 100, 220 and 300 mm ducting



Ordering Information	
Part no.	Description
<b>Break-out Kit 50 mm down</b>	
<b>TC1279-93KIT</b>	100, 220 and 300 mm ducting
<b>TC1279-42</b>	Ramp off 100, 220 and 300 mm ducting



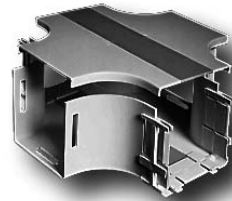
Ordering Information	
Part no.	Width (mm)
<b>Break-out Adaptor - Outlet Trumpet</b>	
<b>TC1279-93A</b>	50 x 50 mm
<b>TC1279-218A</b>	100 mm



Ordering Information	
Part no.	Width (mm)
<b>Centering Adaptor Assembly</b>	
<b>TC1279-47A</b>	2 x 30", 100 mm
<b>TC1279-45A</b>	2 x 30", 220 mm



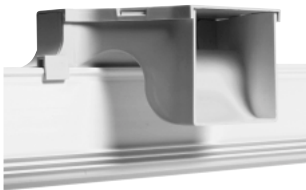
Ordering Information	
Part no.	Description
<b>Top Outlet Assembly, Vertical 100 mm</b>	
<b>TC1279-307A</b>	100, 220 and 300 mm
<i>Slotted version /TC1279-307ASL</i>	



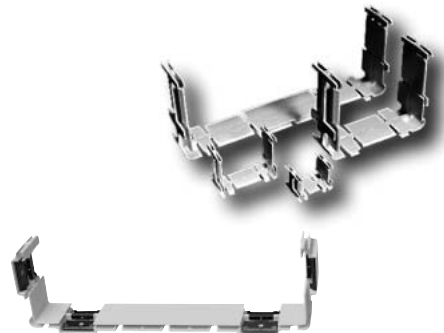
Ordering Information	
Part no.	Width (mm)
<b>Cross Connector</b>	
<b>TC1279-139A</b>	50 x 50 mm
<b>TC1279-234A</b>	100 x 50 mm
<b>TC1279-71A</b>	100 x 100 mm
<b>TC1279-61A</b>	220 x 100 mm
<b>TC1279-279A</b>	300 x 100 mm



Ordering Information	
Part no.	Width (mm)
<b>Adaptor Assembly</b>	
<b>TC1279-91A</b>	100 - 50 mm
<b>TC1279-97A</b>	50 - 30 mm
<b>Adaptor Kit, lightpaths to ADC ducting system 4"</b>	
<b>TC1279-109KIT</b>	ADC ducting system 4" - 100 mm



Ordering Information	
Part no.	Width (mm)
<b>Top Outlet drop-off to 100 x 100 mm Ducting Raceway, Horizontal</b>	
<b>TC1279-290A</b>	100, 220 and 300 mm
<i>Slotted version /TC1279-290ASL</i>	



Ordering Information	
Part no.	Width (mm)
<b>Joiner</b>	
<b>TC1279-98</b>	30 x 30 mm
<b>TC1279-73</b>	50 x 50 mm
<b>TC1279-226</b>	100 x 50 mm
<b>TC1279-27</b>	100 x 100 mm
<b>TC1279-248A</b>	100 x 100 mm
<b>TC1279-25</b>	220 x 100 mm
<b>TC1279-250A</b>	220 x 100 mm
<b>TC1279-287A</b>	300 x 100 mm



Ordering Information	
Part no.	Width (mm)
<b>End Cover</b>	
<b>TC1279-128</b>	30 mm
<b>TC1279-127</b>	50 mm
<b>TC1279-57</b>	100 mm
<b>TC1279-251</b>	100 mm (Solid)
<b>TC1279-56</b>	220 mm
<b>TC1279-252</b>	220 mm (Solid)
<b>TC1279-288</b>	300 mm



Ordering Information	
Part no.	Width (mm)
<b>Break-out, drop-off Kit</b>	
<b>TC1279-87KIT</b>	50 mm





Ordering Information	
Part no.	Description
<b>Floorstand with Clips, Height: 215 - 370 mm</b>	
1149135	Floorstand for 220 mm duct
CLIP1-220	Clip for 220 mm duct
<b>Floorstand with Clips, Height: 125 - 185 mm</b>	
211135-02	Floorstand for 220 mm duct
CLIP1-220	Clip for 220 mm duct



Ordering Information	
Part no.	Description
TC1279-79KIT	Velcro Mounting Kit



Ordering Information	
Part no.	Width
<b>Mitre &amp; Slotting Kit</b>	
TC1279-51KIT	100 and 220 mm



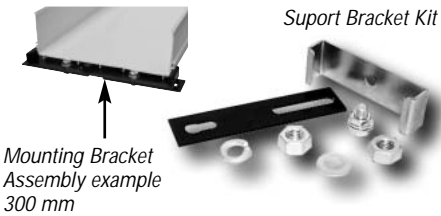
Ordering Information	
Part no.	Width
<b>Wall Mount Bracket</b>	
TC1279-104KIT	100 mm
TC1279-133KIT	220 mm



Ordering Information	
Part no.	Width
<b>Mounting Bracket Kit</b>	
TC1279-78KIT	30 and 50 mm



Ordering Information	
Part no.	Description
<b>Cut-out Tool Kit</b>	
TC1279-50KIT	for 50 mm Break-out
TC1279-231KIT	for 100 mm Break-out



Ordering Information	
Part no.	Width
<b>Support Bracket Kit</b>	
TC1279-103KIT	100 mm
TC1279-32KIT	220 mm
<b>Mounting Bracket Kit</b>	
TC1279-297	300 mm



Ordering Information	
Part no.	Angle / Width
<b>Elbow Assembly, External Lid</b>	
TC1279-285A	45° down 300 mm



Ordering Information	
Part no.	Width
<b>Duct Slotting &amp; Mitre Box Kit</b>	
TC1279-119KIT	for 30 mm
TC1279-140KIT	for 30 and 50 mm
TC1279-118KIT	for 50 mm



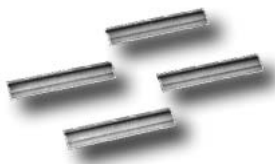
Ordering Information	
Part no.	Description
TC1279-156	Universal Radius Guide



Ordering Information	
Part no.	Angle / Width
<b>Elbow Assembly, Internal Lid</b>	
TC1279-283A	45° up 300 mm

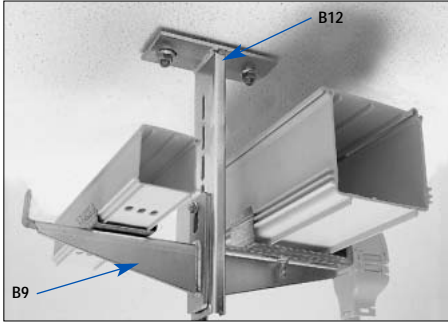


Ordering Information	
Part no.	Description
<b>Impact Drilling Machine</b>	
GDS18E	For use with Cut-out Tool
<b>Cut-out Tool Kit</b>	
TC1279-50KIT-MOD	for 50 mm Break-out



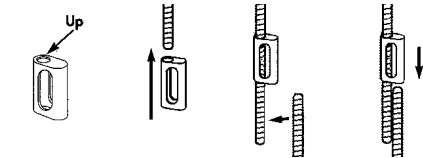
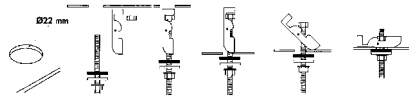
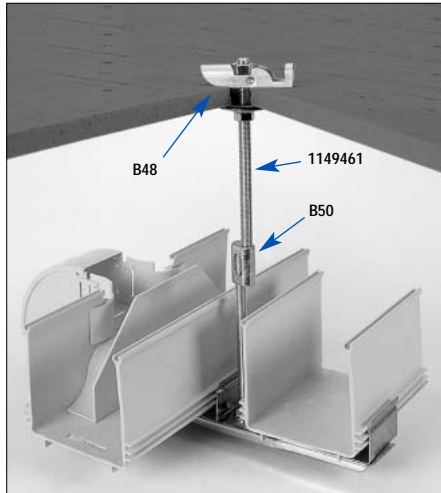
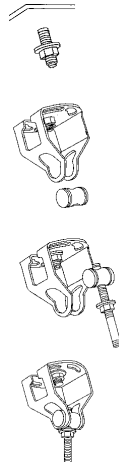
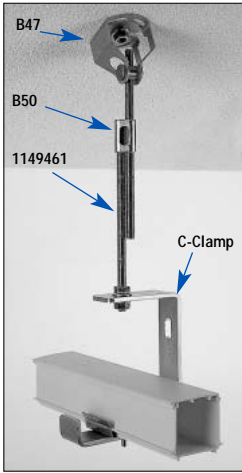
Ordering Information	
Part no.	Width
<b>Hinge Kit</b>	
TC1279-43KIT	for 100 and 220 mm

Ceiling Mounting Kits



Ordering Information	
Part no.	Description
1149136	B12 Hang console
1149121	B9 Wing console 180 mm
1149122	B9 Wing console 280 mm
CLIP2-50	Support clip for 50 mm duct
CLIP1-100	Support clip for 100 mm duct
CLIP1-220	Support clip for 220 mm duct

Application Views



Ordering Information	
Part no.	Description
1149476	B47/M10 Ceiling fitting, variable angle
1149461	M10 Threaded rod, length 1000 mm
1149466	B50/M10 Thread lock
MH1947431	C-clamp 120 mm M10
MH1954254	C-clamp 250 mm M12
CLIP2-50	Support clip for 50 mm duct
CLIP1-100	Support clip for 100 mm duct
CLIP1-220	Support clip for 220 mm duct

Ordering Information	
Part no.	Description
1149473	B48/M10 Ceiling clamp
1149461	M10 Threaded rod, length 1000 mm
1149466	B50/M10 Thread lock
1149464	M10 Flange nut
CLIP2-50	Support clip for 50 mm duct
CLIP1-100	Support clip for 100 mm duct
CLIP1-220	Support clip for 220 mm duct

